

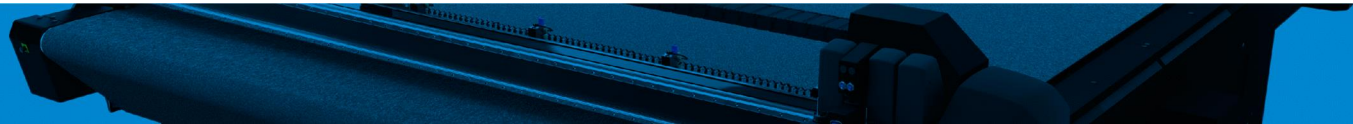


Summa F1330
Pro Flatbed System

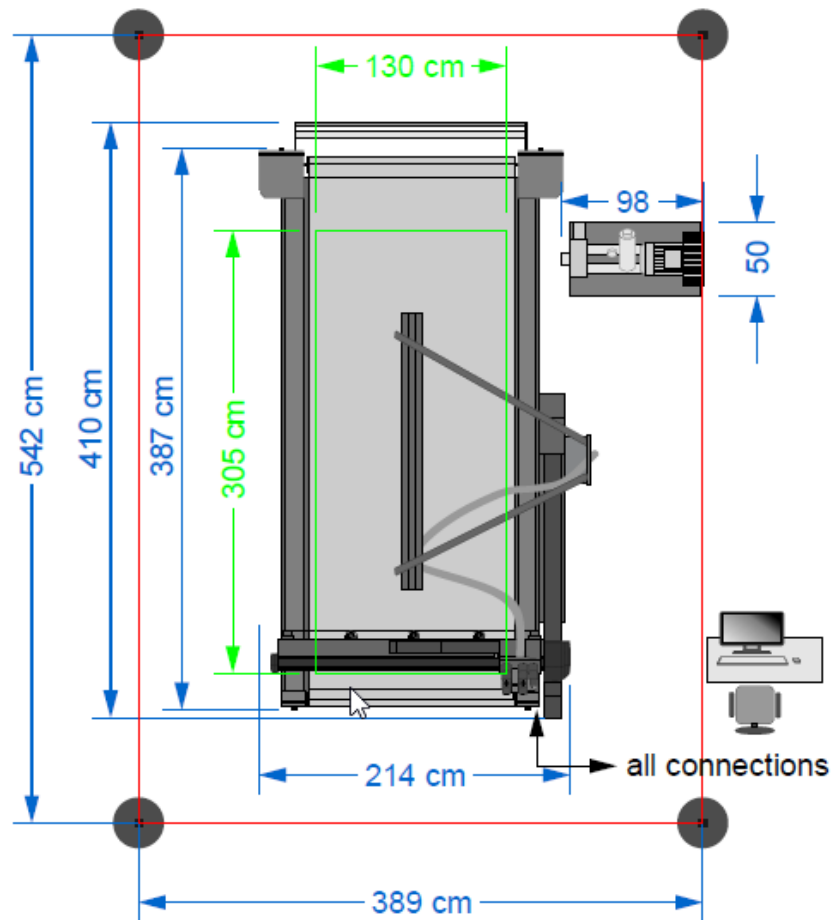
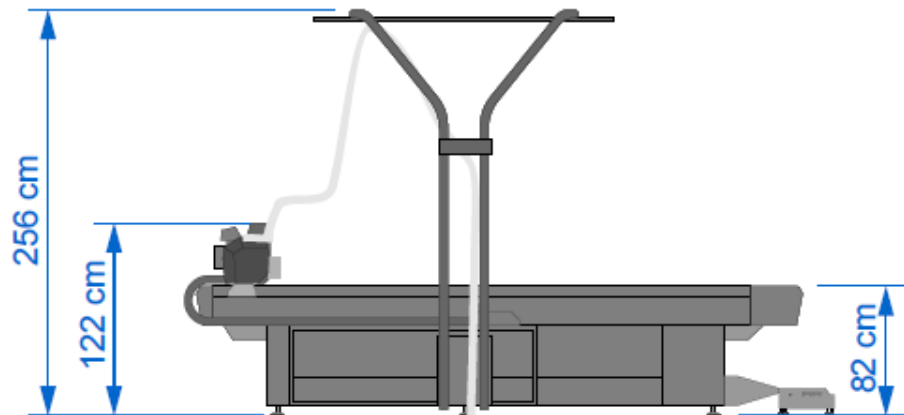


Key information

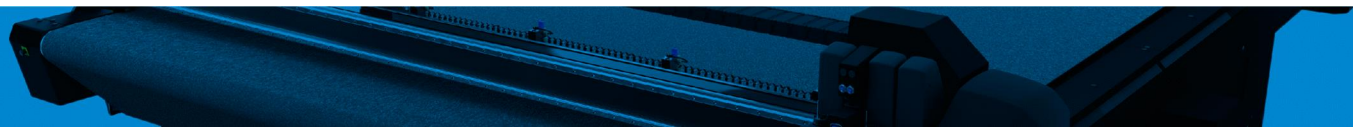
- Working Area: 130 x 305 cm
- Vacuum:
 - 1 pump: 2,2kW
 - 6 zones: 2 rows / 3 columns
- Onsite assembly required
 - Based on the F2630
- Compatible with all tools of the F2630
 - Router option is different part number due to different gantry



Dimensions



F SERIES™
©Copyright 2016 Summa bvba



Packaging

		F1330									
		Width		Depth		Height		Weight		Weight (tare)	
		cm	Inch	cm	Inch	cm	Inch	kg	lbs	kg	lbs
Box		393	155	98	39	109	43	800	1764	300	662
Box		198	78	118	47	109	43	800	1764	200	441
2 x Box		198	78	118	47	109	43	400	882	200	441
Total								2400	5292	900	1985

1x



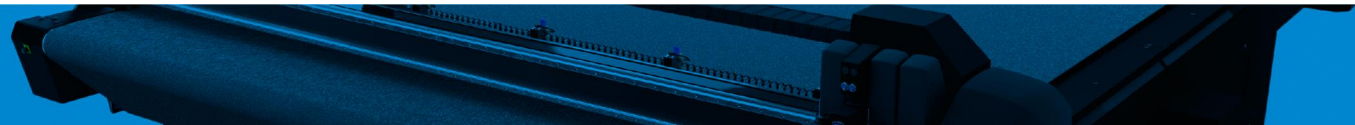
3x



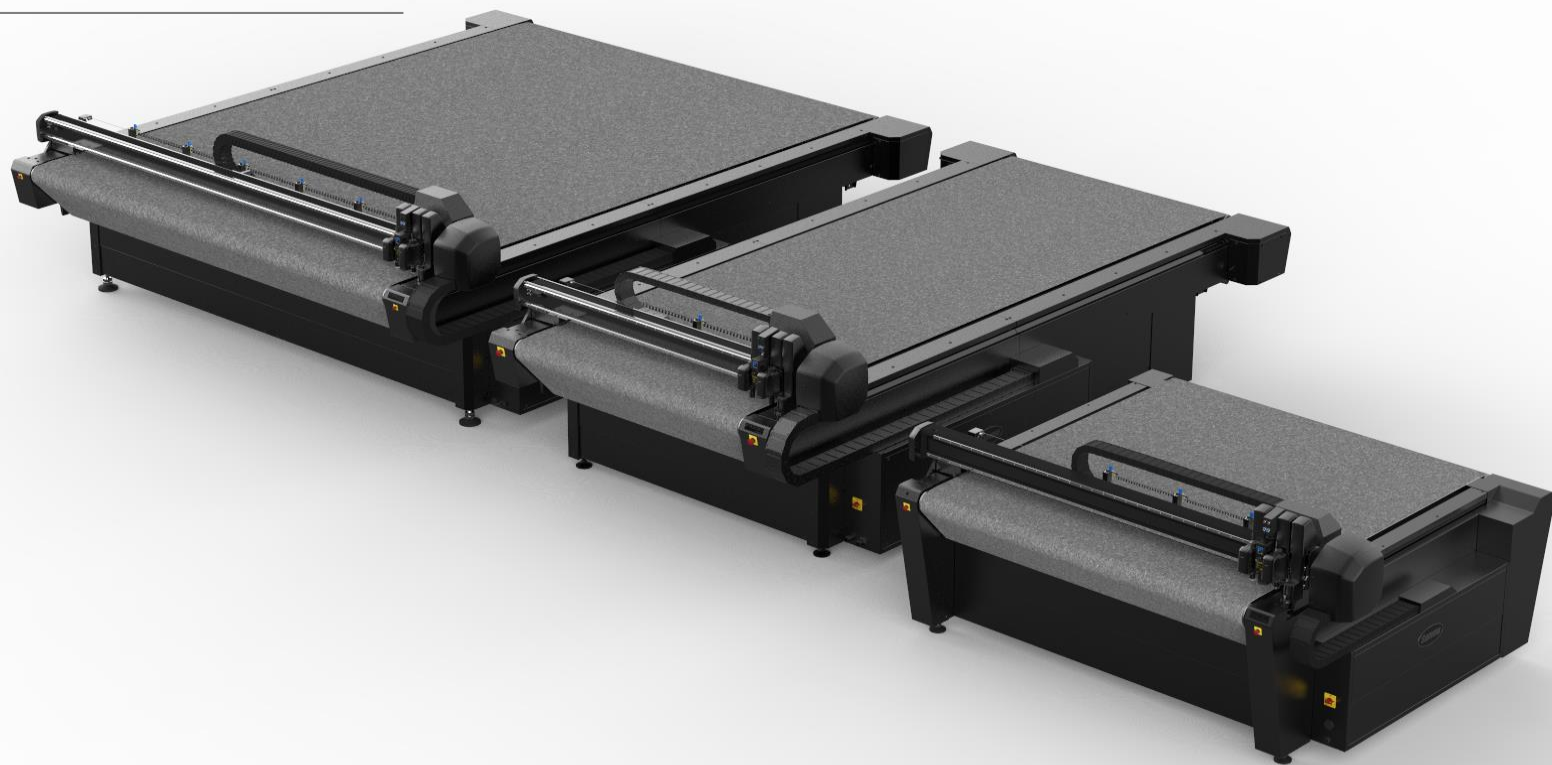
Preliminary information and configuration depended!



F SERIES™
©Copyright 2016 Summa bvba



F Series



F SERIES™
©Copyright 2016 Summa bvba

